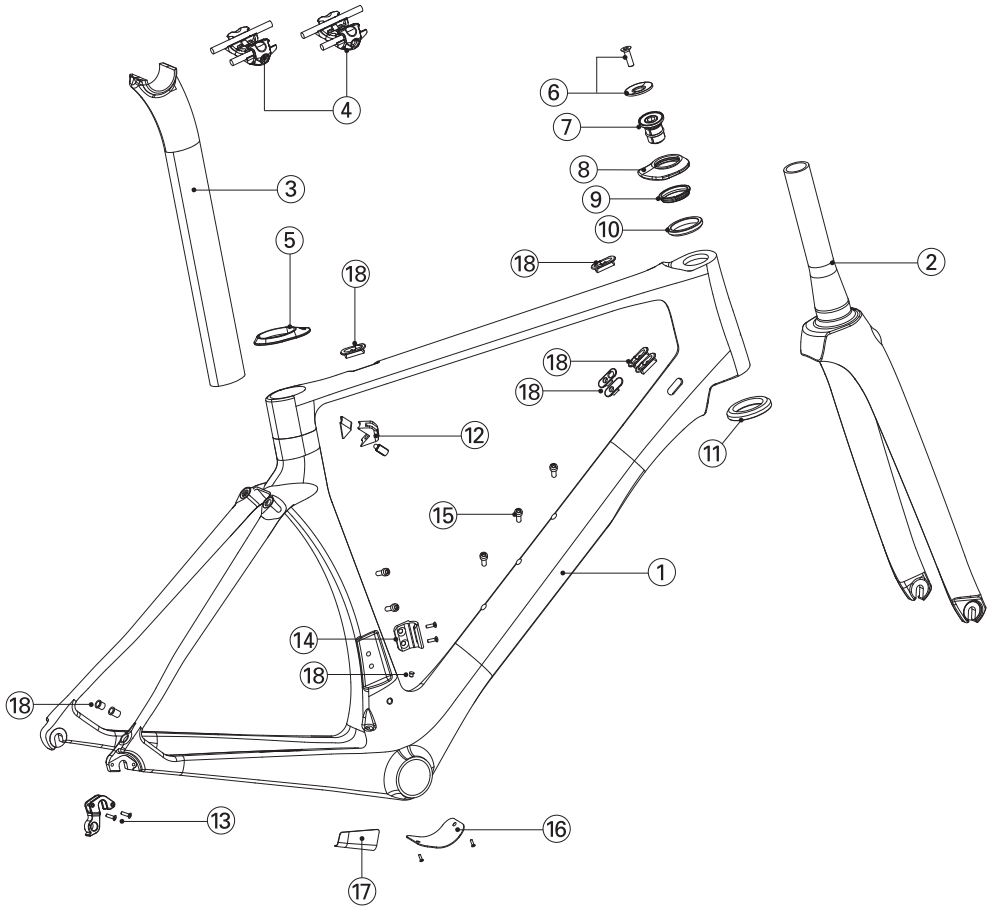


RERE Disc Brake Frameset comes with the following parts:

- |   |  |
|---|--|
| <ul style="list-style-type: none"> <li>1/ RERE Disc Brake Frame</li> <li>2/ RERE Disc Fork</li> <li>3/ RERE Seatpost</li> <li>4/ Saddle Rail Clamp 12Nm (7mm and 7x9mm)</li> <li>5/ Seatpost/Frame Rubber Cover</li> <li>6/ 1x Headset Top Cap and 1x M6 Bolt</li> <li>7/ Headset Expander (5-7Nm)</li> <li>8/ CHAPTER2 Carbon Headset Cover</li> <li>9/ Headset Compression Ring</li> <li>10/ Headset Upper Race IS42/28.6 45/45D H6.5</li> <li>11/ Headset Lower Race IS52/40 45/45D H7</li> <li>12/ Seatclamp (9Nm)</li> </ul> | <ul style="list-style-type: none"> <li>13/ Rear Derailleur Hanger w/ Thru Axle 1x M5 Bolt</li> <li>14/ Front Derailleur Hanger w 2x M5 Bolts</li> <li>15/ 5x Water Bottle Cage Mount M5 Bolts</li> <li>16/ Cable Routing Access Cover w/ 2x M3 Bolts</li> <li>17/ Stainless Steel Alloy Guard</li> <li>18/ 2x Derailleur Cable Stops (Down Tube)<br/>Di2 Cable Stop (Down Tube)<br/>2x Blank Cable Stops (Down Tube)<br/>1x Rear Derailleur Cable Stop<br/>1x Rear Derailleur Di2 Rubber Grommit<br/>Di2 Rubber Plug</li> <li>19/ Fork Removable Thru Axle Drop Out w/ 1x M4 bolt</li> </ul> |
|---|--|





RERE Rim Brake Frameset comes with the following parts:

- |   |  |
|---|--|
| <ul style="list-style-type: none"> <li>1/ RERE Rim Brake Frame</li> <li>2/ RERE Rim Fork</li> <li>3/ RERE Seatpost</li> <li>4/ Saddle Rail Clamp 12Nm (7mm and 7x9mm)</li> <li>5/ Seatpost/Frame Rubber Cover</li> <li>6/ 1x Headset Top Cap and 1x M6 Bolt</li> <li>7/ Headset Expander (5-7Nm)</li> <li>8/ CHAPTER2 Carbon Headset Cover</li> <li>9/ Headset Compression Ring</li> <li>10/ Headset Upper Race IS42/28.6 45/45D H6.5</li> <li>11/ Headset Lower Race IS52/40 45/45D H7</li> <li>12/ Seatclamp (9Nm)</li> </ul> | <ul style="list-style-type: none"> <li>13/ Rear Derailleur Hanger w 2x M3 Bolts</li> <li>14/ Front Derailleur Hanger w 2x M5 Bolts</li> <li>15/ 5x Water Bottle Cage Mount M5 Bolts</li> <li>16/ Cable Routing Access Cover w/ 2x M3 Bolts</li> <li>17/ Stainless Steel Alloy Guard</li> <li>18/ 2x Derailleur Cable Stops (Down Tube)<br/>Di2 Cable Stop (Down Tube)<br/>2x Blank Cable Stops (Down Tube)<br/>2x Brake Cable Stop (Top Tube)<br/>1x Rear Derailleur Cable Stop<br/>1x Rear Derailleur Di2 Rubber Grommit<br/>Di2 Rubber Plug</li> </ul> |
|---|--|

